



Cat[®] Wheel Saws

Skid Steer Loaders
Multi Terrain Loaders
Compact Track Loaders
Compact Wheel Loaders

Cat[®] Wheel Saws are designed for high-performance trench cutting on a variety of hard or compact surfaces, such as asphalt, reinforced concrete and rocky or frozen ground.

Features:

Direct drive system

- Direct drive system features a hydraulic piston pump motor to ensure maximum cutting rate and wheel torque for optimal production performance and efficiency.

Hydraulic side-shift and depth control

- Hydraulic side-shift and depth control is standard on all models and is controlled from the operator's compartment. Hydraulic side-shift allows wheel positioning from center to the far right of center. This allows for cutting close to curbs, walls and other obstructions, and minimizes need to reposition the machine.

Trench cleaning device

- The trench cleaning device is hydraulically operated from the operator's compartment. The blade can be controlled up and down to remove spoil and ensure a clean trench.

Deflector plates

- Deflector plates remove spoil from the machine's path for smooth operation. Spoil can be discharged left, right, or on both sides of the wheel saw with installation of included blanking plates.

Concrete bits

- Concrete bits are standard on all models. Optional all purpose conical bits are available for all Cat Wheel Saws for tarmac and asphalt applications.

Quick coupler

- Rugged, opposing edge design holds the work tool securely and allows the operator to quickly change from one high performance Cat Work Tool to another.

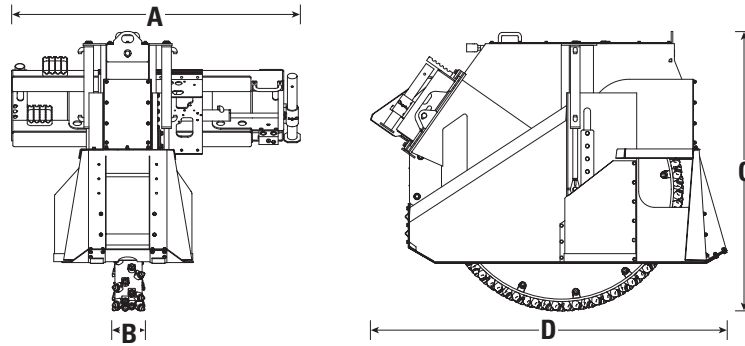
Compatibility

Model	Machines
SW45* (80 mm/3 in)	226B, 242B, 257B, 246C, 256C, 262C, 272C, 277C, 287C, 297C, 279C, 289C, 299C, 906H, 908H
SW45* (160 mm/6 in)	226B, 242B, 257B, 246C, 256C, 262C, 272C, 277C, 287C, 297C, 279C, 289C, 299C, 906H, 908H
SW45* (200 mm/8 in)	226B, 242B, 257B, 246C, 256C, 262C, 272C, 277C, 287C, 297C, 279C, 289C, 299C, 906H, 908H
SW60* (160 mm/6 in)	256C, 262C, 272C, 277C, 287C, 297C, 279C, 289C, 299C
SW60* (200 mm/8 in)	256C, 262C, 272C, 277C, 287C, 297C, 279C, 289C, 299C

* Requires high flow or high flow XPS option on machine.

Cat Wheel Saws

Specifications



			SW45 (80 mm/3 in)	SW45 (160 mm/6 in)	SW45 (200 mm/8 in)	SW60 (160 mm/6 in)	SW60 (200 mm/8 in)
A Overall width	mm	(in)	1803 (71)	1803 (71)	1803 (71)	1866 (74)	1866 (74)
B Maximum wheel width	mm	(in)	80 (3)	160 (6)	200 (8)	160 (6)	200 (8)
C Overall height	mm	(in)	1440 (57)	1435 (56)	1435 (56)	1746 (69)	1746 (69)
D Length	mm	(in)	1992 (78)	1992 (78)	1992 (78)	2230 (88)	2230 (88)
Weight	kg	(lb)	1041 (2,295)	964 (2,125)	997 (2,198)	1151 (2,538)	1168 (2,575)
Trench cleaning device			No	Yes	Yes	Yes	Yes
Required hyd. flow range	L/min	(gpm)	90-160 (24-42)	90-160 (24-42)	90-160 (24-42)	100-160 (26-42)	100-160 (26-42)
Optimal hyd. pressure range	bar	(psi)	180-300 (2,611-4,351)	180-300 (2,611-4,351)	180-300 (2,611-4,351)	180-300 (2,611-4,351)	180-300 (2,611-4,351)
Wheel torque @max pressure*	N•m	(lb•ft)	6703 (4,944)	6703 (4,944)	6703 (4,944)	8041 (5,931)	8041 (5,931)
Wheel speed @ max flow*	rpm		115	115	115	96	96
Bit speed @ max flow*	mpm	(fpm)	439 (1,440)	439 (1,440)	439 (1,440)	458 (1,503)	458 (1,503)
Conical bits			64/wheel	56/wheel	62/wheel	96/wheel	96/wheel
Standard bit type			Concrete	Concrete	Concrete	Concrete	Concrete
Optional bit type			All purpose	All purpose	All purpose	All purpose	All purpose
Maximum depth of cut	mm	(in)	450 (18)	450 (18)	450 (18)	600 (24)	600 (24)
Side-shift travel	mm	(in)	650 (26)	650 (26)	650 (26)	650 (26)	650 (26)
Motor displacement	cm ³ /rev	(in ³ /rev)	1404 (86)	1404 (86)	1404 (86)	1686 (103)	1686 (103)

* Theoretical values calculated at 100% efficiency.

For more complete information on Cat products, dealer services, and industry solutions, visit us on the web at www.cat.com

AEHQ5838-01 (8-08)

© 2008 Caterpillar
All Rights Reserved
Printed in U.S.A.

Replaces AEHQ5838

Materials and specifications are subject to change without notice. Featured machines in photos may include additional equipment. See your Caterpillar dealer for available options.

CAT, CATERPILLAR, SAFETY.CAT.COM, their respective logos, "Caterpillar Yellow," and the POWER EDGE trade dress, as well as corporate and product identity used herein, are trademarks of Caterpillar and may not be used without permission.

CATERPILLAR[®]