

Forks and Carriages

for Skid Steer and Multi Terrain Loaders



Features

- Full width mesh back rest
- Hook type fork
- Four fork lengths available
- Durable, high capacity carriage design

Benefits

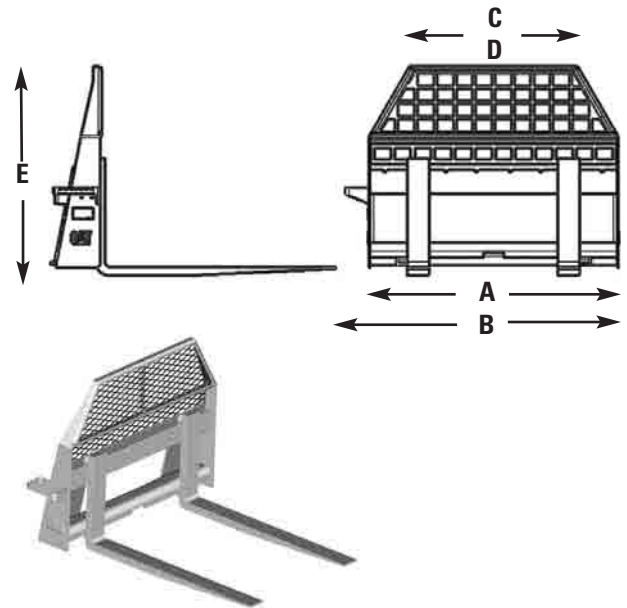
- Operator and load protection, whilst maintaining visibility.
- Easy adjustment of fork position, depending on load spacing.
- Performance matched to application.
- Ensures maximum load carrying capacity up to SSL/MTL capacity.

Forks and Carriages

Specifications and Dimensions

Carriages		mm
A	Width (Excl side step)	1150
B	Width (Incl side step)	1270
C	Spacing Min	154
D	Spacing Max	1006
E	Height	940

Forks					
Tine Length	mm	910	1070	1120	1220
Cross Section	mm	40x100	40x100	45x100	45x100
Weight	kg	39	44	48	51



Matching Guide

Forks and Carriages

Skid Steer Loaders

216B, 226B, 232B, 236B, 242B,
246C, 256C, 262C, 272C

Multi Terrain Loaders

247B, 257B, 277C
287C, 297C