

# LR15B, LR18B

## Landscape Rakes for Skid Steer and Multi Terrain Loaders



*Landscape rakes are used to sieve soil and remove stones prior to sowing grass.  
Can be used in conjunction with Caterpillar Landscape Tillers.*

### Features

- 'Bolt-on' conveyor assembly tubes
- Robust front hood
- Hydraulic relief valve
- 'Sprocket and Idler' placement
- Hydraulic driven open/close hood

### Benefits

- Easy replacement of the entire conveyor assembly.
- Increased durability when turning, loading and opening/closing the conveyor system.
- Conveyor assembly from being damaged if an object becomes lodged in the unit.
- Improved balance, resulting in superior surface finish.
- Easy discharge of collected debris.

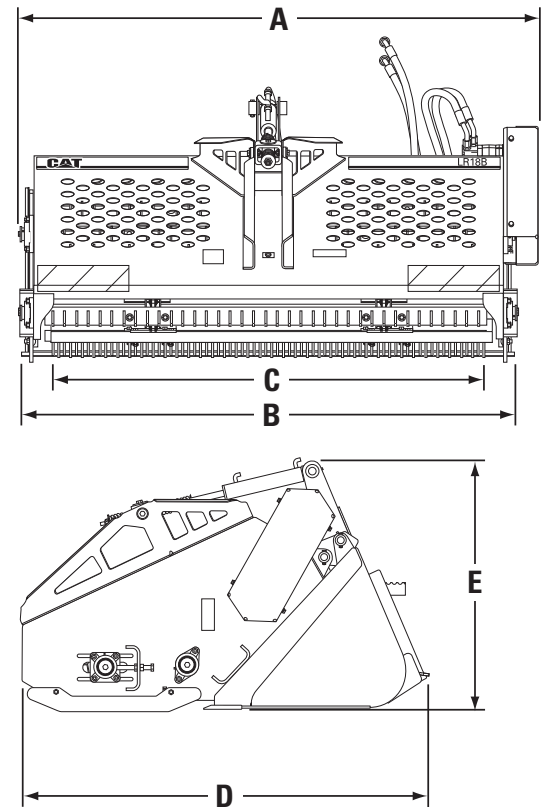
# LR15B, LR18B Landscape Rakes

## Specifications and Dimensions

		LR15B	LR18B
<b>A</b> Overall Width	mm	1683	1990
<b>B</b> Working Width	mm	1576	1883
<b>C</b> Raking Width	mm	1384	1655
<b>D</b> Overall Length	mm	1620	1620
<b>E</b> Overall Height	mm	989	989
Unit Weight	kg	595	653
Bucket Capacity (struck)*	m <sup>3</sup>	0,31	0,34
Drive Method Single Uni-directional Gerotor Motor – chain			
Required Hydraulic Flow	L/min	42-83	42-83
Optimal Hydraulic Pressure	bar	145-227	145-227
Effective Displacement	cm <sup>3</sup>	484,5	484,5
Drive Shaft Speed at 80 Lpm	rpm	165	165
Torque at 230 bar	Nm	1774	1774
Fasteners		Cat	Cat
Hydraulic Hose	Cat	XT-3 ES	XT-3 ES
Number of Hard-faced Tines		372	444
Rock Size max.	mm	150	150

\* Rated struck capacities shown as per ISO 7546:1983.

Theoretical values calculated at 100% efficiency.



## Hydraulic Requirements

Standard flow hydraulics and no electrics.

## Matching Guide

Rakes	Skid Steer Loaders	Multi Terrain Loaders
LR15B	216B, 226B, 242B, 236B, 246C, 256C, 262C, 272C	247B, 257B, 257B HF
LR18B	226B, 232B, 242B, 236B, 246C, 256B, 262C, 272C	247B, 257B

For more complete information on Cat products, dealer services, and industry solutions, visit us on the web at [www.cat.com](http://www.cat.com)

HEHX3176-2 (03/2007) hr

© 2007 Caterpillar -- All Rights Reserved

Materials and specifications are subject to change without notice. Featured machines in photos may include additional equipment. See your Caterpillar dealer for available options.

CAT, CATERPILLAR, their respective logos, "Caterpillar Yellow" and the POWER EDGE™ trade dress, as well as corporate and product identity used herein, are trademarks of Caterpillar and may not be used without permission.

**CATERPILLAR**<sup>®</sup>  
TODAY'S WORK. TOMORROW'S WORLD.™