



Cat[®] Mulchers

Skid Steer Loaders
Multi Terrain Loaders

Cat[®] Mulchers are designed for high-performance cutting, and mulching vegetation and undergrowth from typical wooded terrain. The hydraulic mulcher reduces saplings, shrubs and trees into mulched material, making it ideal for environmental maintenance, such as creating fire lanes. Other applications include: reclaiming untilled land, removing foliage from building construction sites, and shredding pruned material and organic waste for biomass production.

Features:

Axial piston hydraulic motor

- Axial piston hydraulic motor provides smooth, efficient performance.

Rugged mulching head

- Rugged mulching head processes trees up to 200 mm (8 in) diameter for effective land clearing applications.

Fixed tooth balanced rotor

- Fixed tooth balanced rotor provides excellent operating efficiency at high speed.

Adjustable push frame

- Adjustable push frame is standard equipment on both the HM312 and HM315 and provides the ability to position trees to allow for optimum cutting and efficiency. It also provides operator cab protection.

Heavy-duty bearings

- Heavy-duty bearings extend work tool life.

Hydraulically operated front hood

- Hydraulically operated front hood allows trees to be cut when opened and allows dense vegetation to be mulched.

V-belt drive

- V-belt drive protects the motor against blockages.

Rear chain guard protection

- Rear chain guard protection reduces spread of material.

Rigid, robust tempered steel

- Rigid, robust tempered steel construction provides fully guarded protection in tough applications.

Cat XT™-3 ES hose, couplings and O-ring face seals

- Cat XT-3 ES hose, couplings and O-ring face seals provide superior, leak-free performance and reliability. All hoses are wrapped with nylon woven cordura sleeving for added operator protection. Hydraulic quick disconnects enable fast tool changes.

Quick coupler

- Rugged, opposing edge design holds the work tool securely and allows the operator to quickly change from one high performance Cat Work Tool to another.

Compatibility

Model Machines

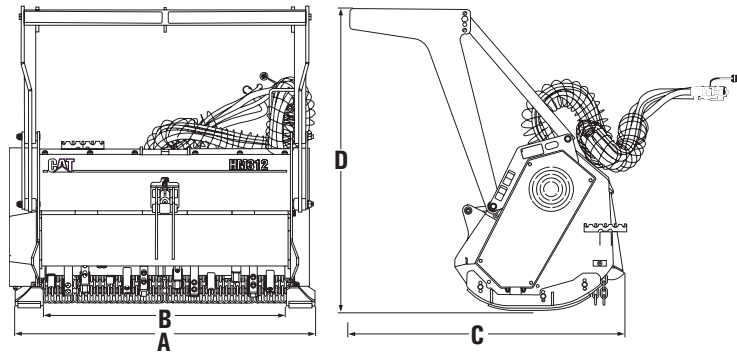
HM312* 246C, 256C, 262C, 272C, 277C, 287C, 297C

HM315* 256C, 262C, 272C, 277C, 287C, 297C

* Requires high flow or high flow XPS option on machine.
Debris Barrier recommended.

Cat Mulchers

Specifications



		HM312		HM315	
A Overall width	mm (in)	1640	(65)	1830	(72)
B Working width	mm (in)	1210	(48)	1450	(57)
C Length	mm (in)	1470	(58)	1470	(58)
D Overall height	mm (in)	1610	(63)	1610	(63)
Weight	kg (lb)	940	(2,070)	1075	(2,365)
Drive method		V-belt drive		V-belt drive	
Motor		Axial piston hydraulic		Axial piston hydraulic	
Optimum hydraulic flow range	L/min (gpm)	120-137	(31.5-36)	120-137	(31.5-36)
Optimal hydraulic pressure range	bar (psi)	195-350	(2828-5075)	195-350	(2828-5075)
Drum speed range	rpm	1800-2100		1800-2100	
Fixed teeth per drum		28		34	
Maximum cutting diameter	mm (in)	200	(8)	200	(8)

For more complete information on Cat products, dealer services, and industry solutions, visit us on the web at www.cat.com

AEHQ5833-01 (8-07)

© 2007 Caterpillar
All Rights Reserved
Printed in U.S.A.

Replaces AEHQ5833

Materials and specifications are subject to change without notice. Featured machines in photos may include additional equipment. See your Caterpillar dealer for available options.

CAT, CATERPILLAR, their respective logos, "Caterpillar Yellow," and the POWER EDGE trade dress, as well as corporate and product identity used herein, are trademarks of Caterpillar and may not be used without permission.

CATERPILLAR®